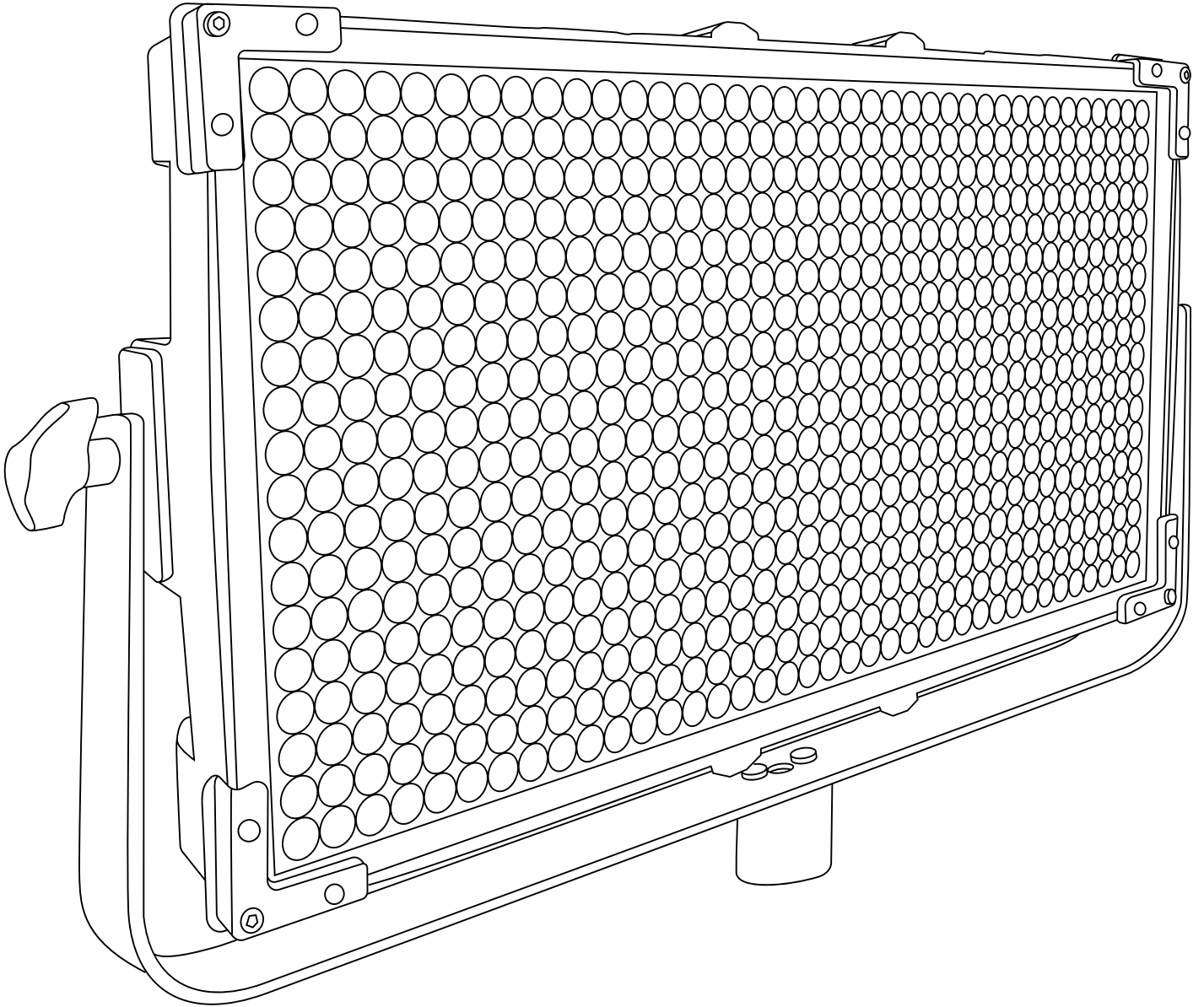


Lupo
Made in Italy



Cod 419 PRO

SuperanelPRO

Full Color Hard 60

Technical Data

| | |
|---|----------------------------------|
| Dimensions (cm) | 691 x 465 x 121 mm |
| Dimensions (in) | 27.2 x 18.3 x 4.21 in |
| Weight (kg) | 9 kg |
| Weight (lb) | 19.8 lb |
| CRI (Colour Rendering Index) | 97 |
| TLCI (Television Lighting Consistency Index) | 98 |
| Estimated LED lifetime (L80) | 50,000 hours |
| Dimmer 0 - 100 | included |
| Dimming curves mode | Linear, Exponential, Logarithmic |
| DMX module | included |
| DMX (bit) | 8 bit / 16 bit |
| Connection for 14.8 V battery with standard XLR 4 pin connector (pin 1: negative / pin 4: positive) | included |
| Standard XLR 5 pin connectors to DMX console | included |
| Watt consumption | 440 W |
| Watt output (equivalent to tungsten) | 4000 W |
| Firmware upgrades | through USB port |
| Colour temperature | 2800 K - 10000 K |
| Voltage AC | 90 V - 240 V |
| Voltage DC | 14.8 V |
| Light beam | 40° |
| Frequency (input) | 50 / 60 Hz |
| Compliance | CE |
| Remote control | Bluetooth Long Range / DMX / RDM |
| Ambient temperature | Max: + 45°C / Min: - 10°C |
| Power factor | 0.9 |

| Photometric data | 6500 K | 5600 K | 3200 K |
|----------------------|--------|--------|--------|
| Distance | | | |
| Lux at 1 m - 3.2 ft | 28000 | 27400 | 23000 |
| Lux at 2 m - 6.5 ft | 8700 | 8650 | 7800 |
| Lux at 3 m - 9.8 ft | 4220 | 4120 | 3650 |
| Lux at 4 m - 13.1 ft | 2400 | 2380 | 2050 |
| Lux at 5 m - 16.4 ft | 1550 | 1510 | 1380 |

Mode Options

CCT (Correlated Color Temperature)

Mode for variable color temperature control from 2700 K to 10000 K with the addition of plus and minus green/magenta offset.

HSI (Hue, Saturation and Intensity)

Mode for full color control.

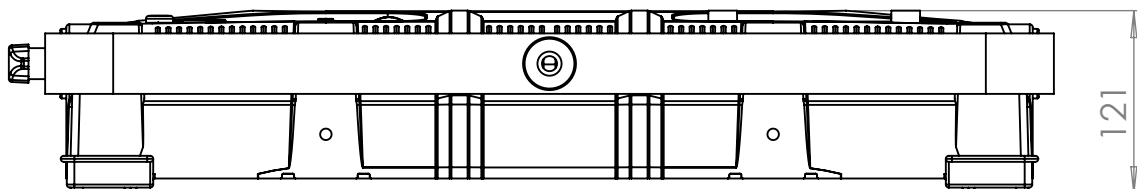
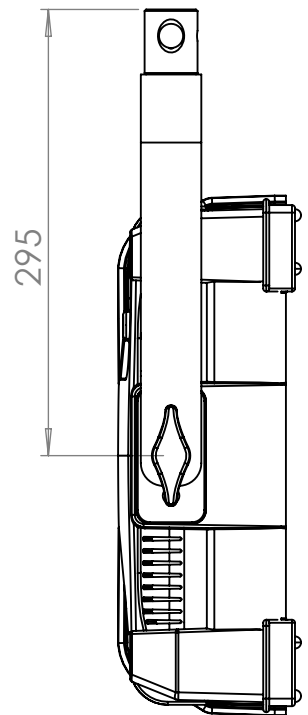
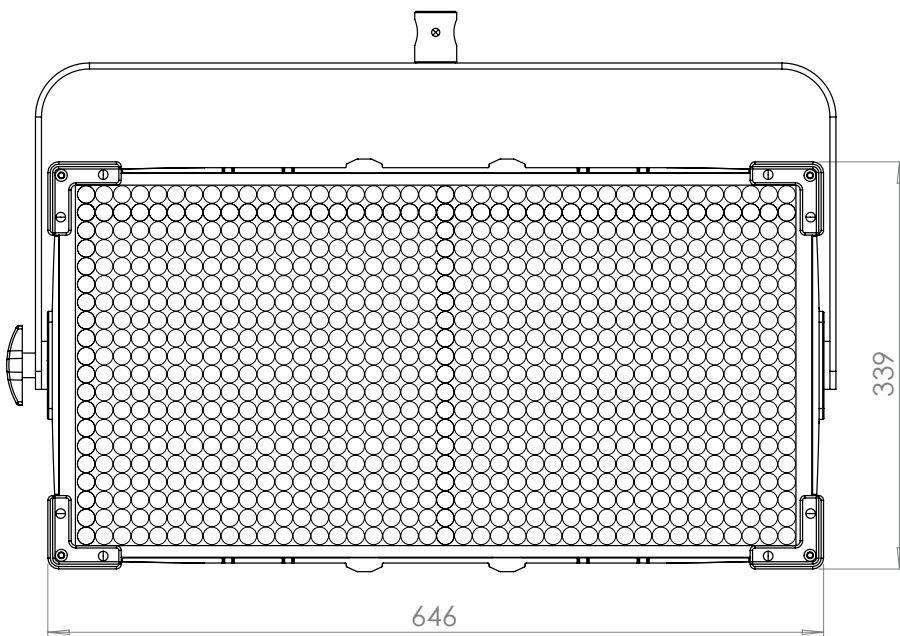
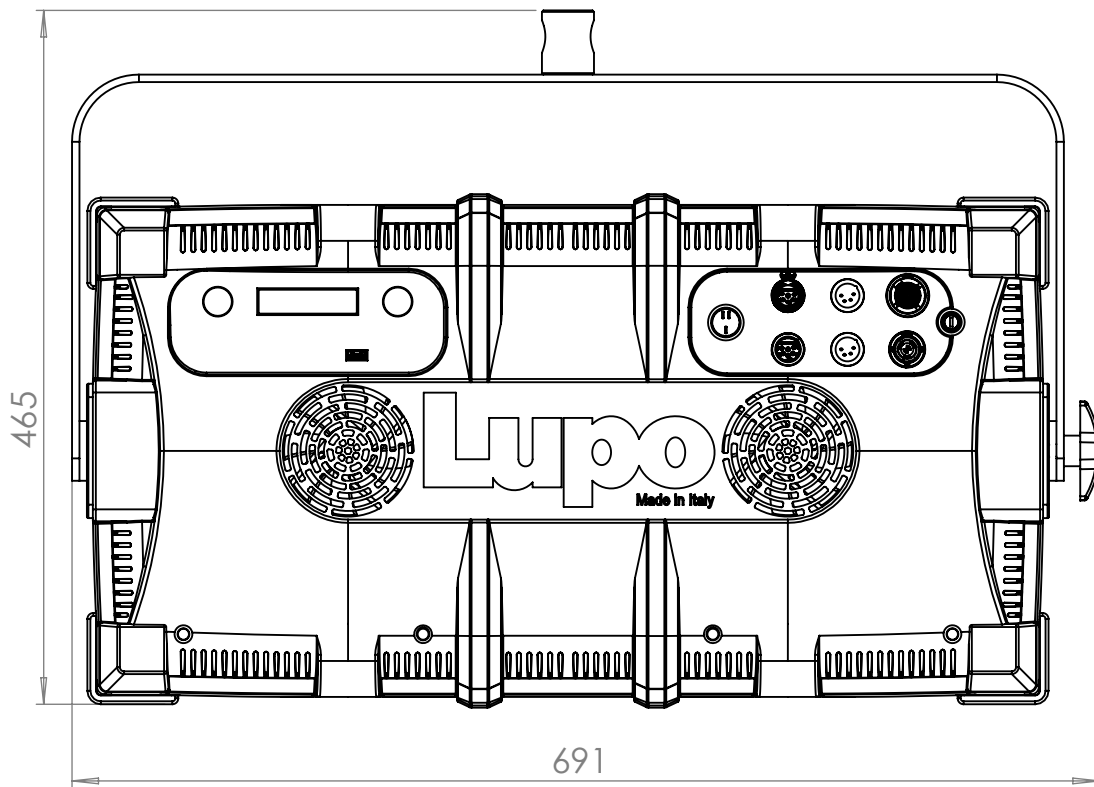
RGBW

Mode for control of Red, Green, Blue and White independently.

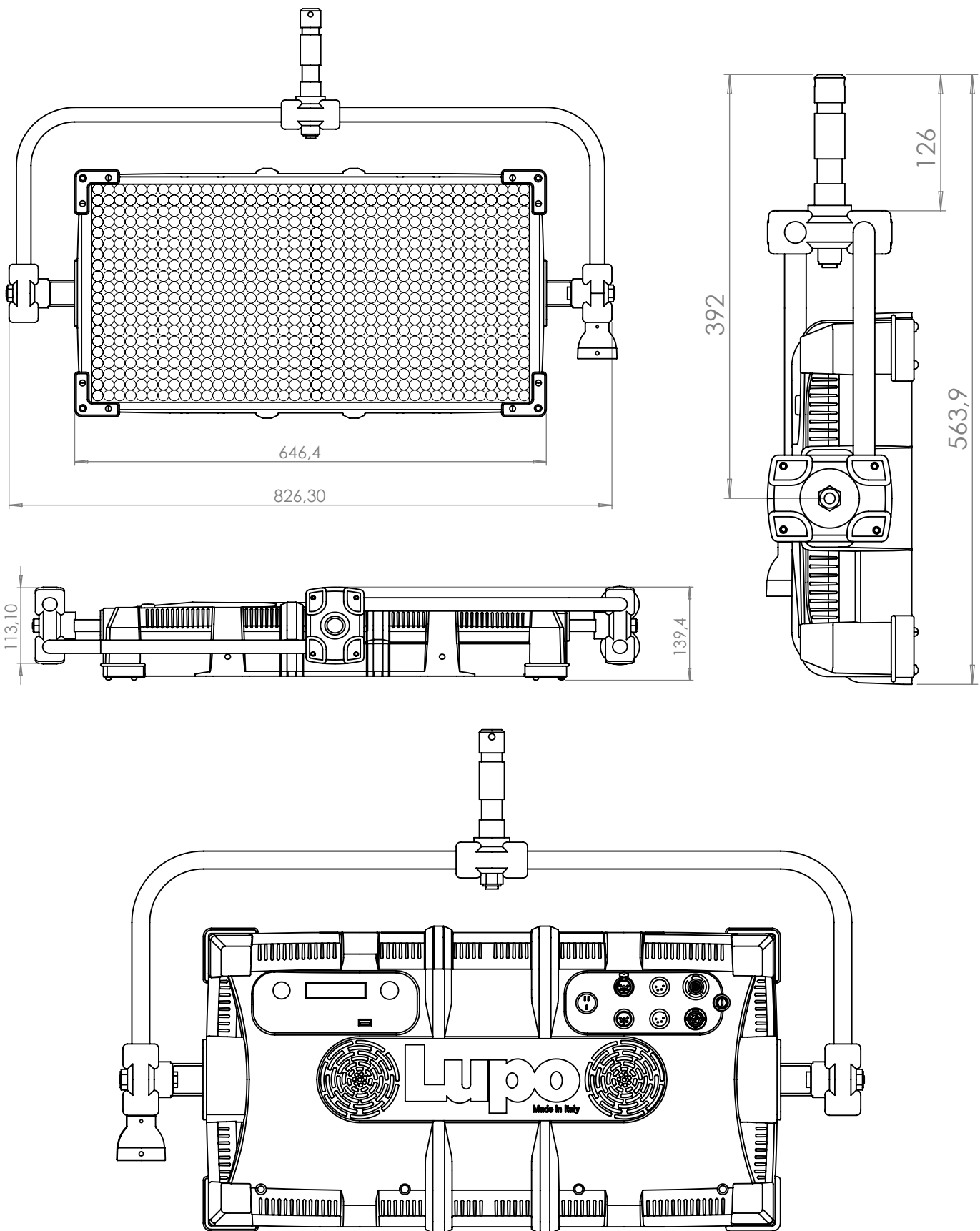
Preset

Mode for a selected variety of gels.

Technical Drawing



Pole Operated Yoke



Lupo
Made in Italy

Lupo srl - Via V. Sassi 28 Collegno (TO) - 10093 - Italy
Phone: +39 011 411 9919 / e-mail: contact@lupo.it
website: www.lupo.it